



B0600

Island with Roll Tray and Tulip Feet

34-1/2" - High

25-1/2" - Deep

- Finished open display area with beaded panel
- Tulip feet
- Two roll-trays
- Integrated end panel
- Order item indicates drawer and doors/roll trays left or right (illustration shows drawer left)
- Fixed false drawer front and fixed doors on peninsula side

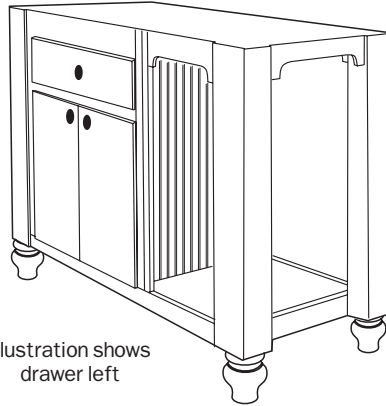
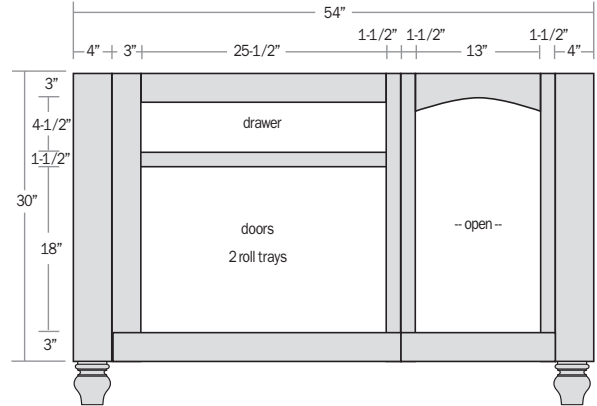


Illustration shows drawer left



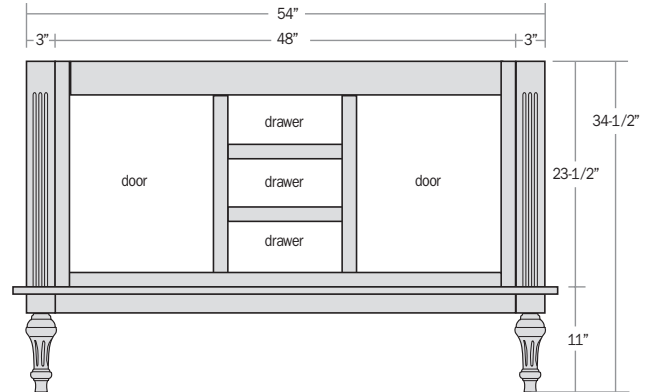
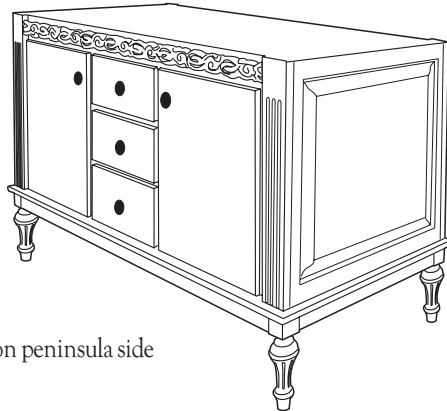
B0610

French Country Island

34-1/2" - High

25-1/2" - Deep

- Integrated end panels
- Vertical corner fluted onlay
- Hand-carved interlacing style moldings
- French country base (55-1/2" x 27")
- Doors open on both sides of unit
- Fixed false drawer fronts on peninsula side



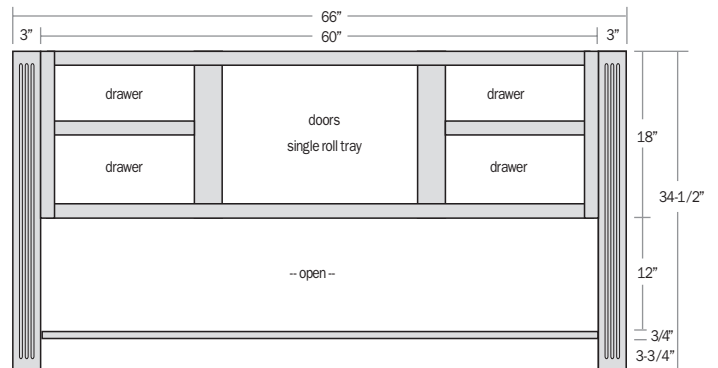
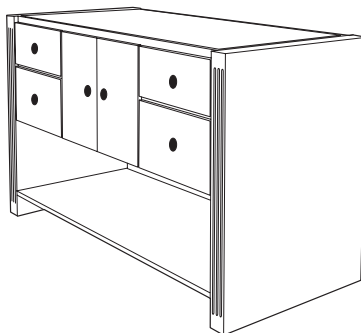
B0620

Fluted End Island with Roll Tray

34-1/2" - High

25-1/2" - Deep

- Ends fluted on both sides
- Finished open-display shelf fixed
- Single roll tray behind doors
- Fixed false drawer fronts on peninsula side





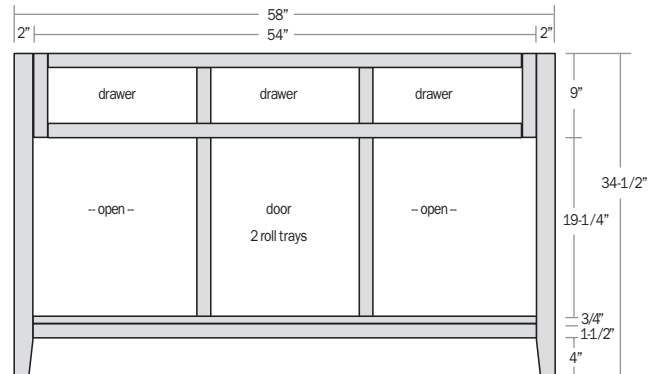
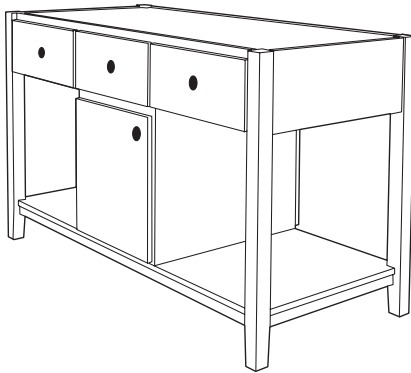
B0630

Shaker Island with Roll Tray

34-1/2" - High

25-1/2" - Deep

- Two finished open-display shelf areas
- Two roll trays behind door
- Fixed false drawer fronts on peninsula side
- Specify hinge L or R



B0640

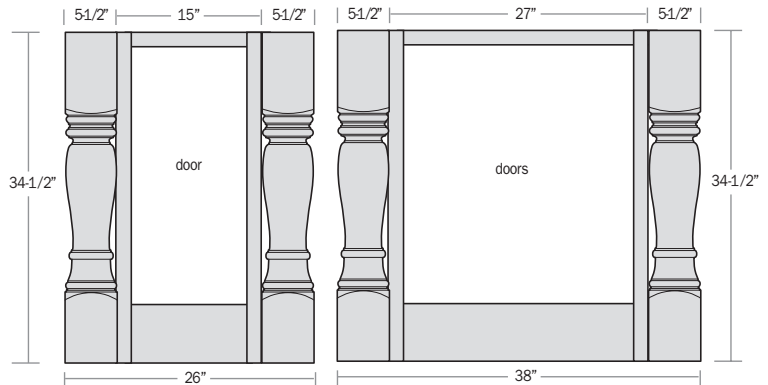
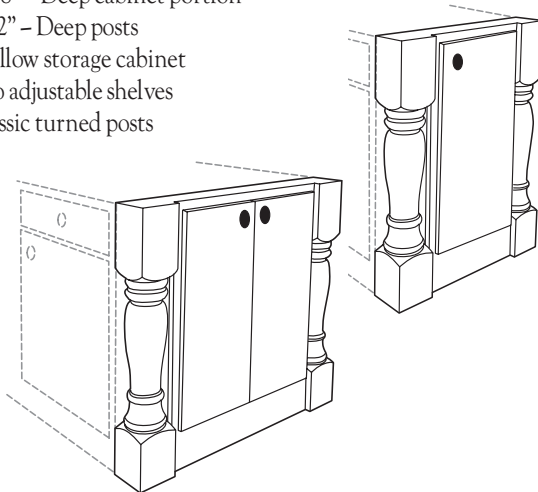
Island End Cap with Full-Height Door

34-1/2" - High

4-5/8" - Deep cabinet portion

5-1/2" - Deep posts

- Shallow storage cabinet
- Two adjustable shelves
- Classic turned posts



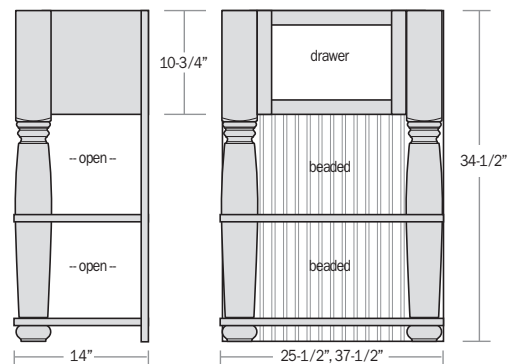
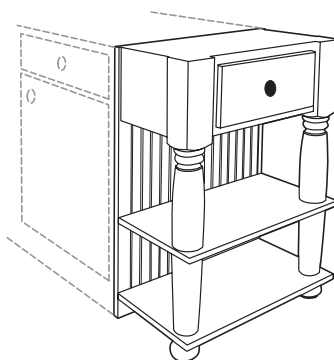
B0650

Island End Cap Drawer

34-1/2" - High

14" - Deep

- Two finished shelves are fixed
- Bavarian Estate legs
- Solid hardwood beaded plank back in open area





B0660

Island End Cap with Two Drawers

34-1/2" - High

16-1/2" - Deep

•Integrated end panel

•Order item indicates drawers left or right
(illustration shows left)

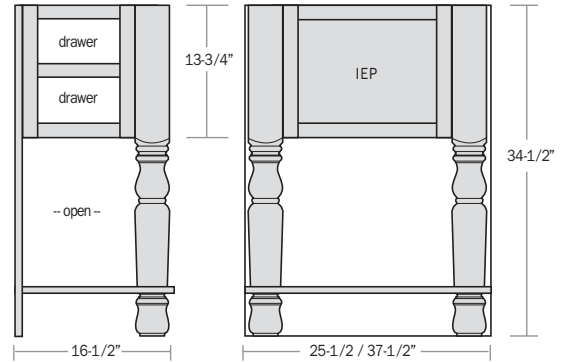
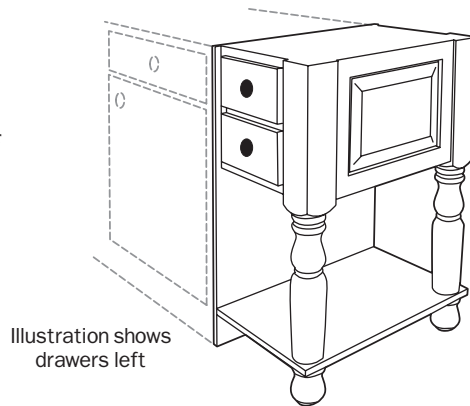
•Fixed false drawer fronts
on peninsula side

•English country legs

•Finished open-display shelf

•Ships fully assembled

•Call for quotes on sizing
modifications



B0670

Island End Cap Plate Display

34-1/2" - High

4-5/8" - Deep cabinet portion

5-1/2" - Deep posts

•Shallow plate display cabinet

•One adjustable shelf

•Finished veneer interior

•Classic turned posts

•Ships fully assembled

•Call for quotes on sizing
modifications

